

FLUIDMASTER® 400A FILL VALVE INSTALLATION INSTRUCTIONS

DO NOT USE

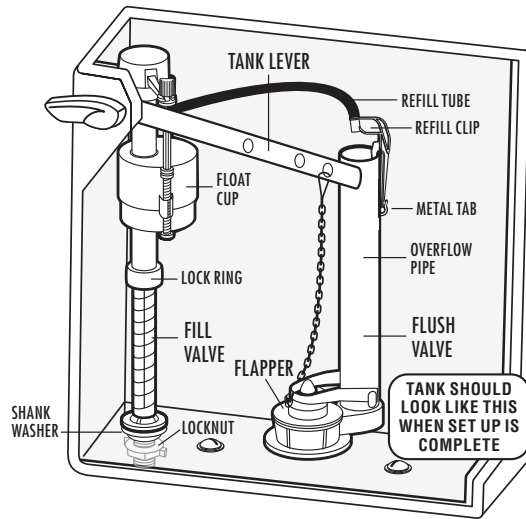
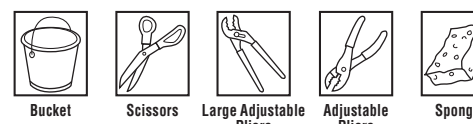
**WARNING**

DO NOT USE IN-TANK DROP-IN TOILET BOWL CLEANERS CONTAINING BLEACH OR CHLORINE. Use of such products will: (1) **RESULT IN DAMAGE** to tank components and **MAY CAUSE FLOODING and PROPERTY DAMAGE** and (2) **VOID FLUIDMASTER WARRANTY.** Fluidmaster Flush 'n Sparkle Toilet Bowl Cleaning System is recommended for those choosing to use in-tank bowl cleaners and **WILL NOT VOID the FLUIDMASTER WARRANTY** because it will not damage the components. **DO NOT** overtighten nuts or tank/bowl may crack. Always use quality Fluidmaster parts when installing or repairing. Fluidmaster will not be responsible or liable for use of non-Fluidmaster parts during installation or repair.

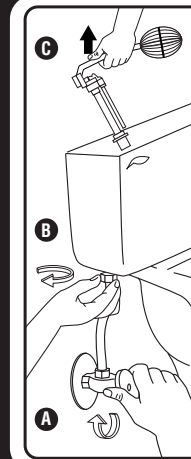
LIMITED FIVE-YEAR EXPRESS WARRANTY

Subject to the "Exclusions" set forth below, Fluidmaster Inc. promises to the consumer to repair, or at the option of Fluidmaster Inc. to replace any part of this plumbing product which proves to be defective in workmanship or materials under normal use for five years from the date of purchase. All costs of removal, transportation and reinstallation to obtain warranty service shall be paid by the consumer. During this "Limited Five Year Express Warranty," Fluidmaster Inc. will provide, subject to the "Exclusions" section set forth below, all replacement parts free of charge, necessary to correct such defects. This "Limited Five Year Warranty" is null and void if this plumbing product has not been installed and maintained in accordance with all written instructions accompanying the product, and if non-Fluidmaster Inc. parts are used in installation.

EXCLUSIONS: FLUIDMASTER INC. SHALL NOT BE LIABLE FOR INCIDENTAL OR CONSEQUENTIAL DAMAGES, INCLUDING COSTS OF INSTALLATION, WATER DAMAGE, PERSONAL INJURY OR FOR ANY DAMAGES RESULTING FROM ABUSE OR MISUSE OF THE PRODUCT, FROM OVERTIGHTENING OR FROM FAILURE TO INSTALL OR MAINTAIN THIS PLUMBING PRODUCT IN ACCORDANCE WITH THE WRITTEN INSTRUCTIONS, INCLUDING USE OF NON-FLUIDMASTER PARTS. DO NOT USE IN-TANK DROP-IN TOILET BOWL CLEANERS CONTAINING BLEACH OR CHLORINE. USE OF SUCH PRODUCTS WILL RESULT IN DAMAGE TO TANK COMPONENTS AND MAY CAUSE FLOODING AND PROPERTY DAMAGE. USE OF SUCH PRODUCTS WILL VOID THIS WARRANTY.

**TOOLS
NEEDED****PARTS
IN THIS KIT:**

- (1) Fill Valve
- (1) Shank Washer
- (1) Locknut
- (1) Refill Tube
- (1) Refill Clip

PREPARATION**1 Remove Old Fill Valve**

- Remove tank lid. Use pencil to mark water level of tank. Then follow steps A-C.
- A.** Turn off water supply (Clockwise). Flush toilet and remove excess water from tank with sponge.
 - B.** Remove water supply line coupling nut. Remove locknut from under tank.
 - C.** Remove fill valve from tank.

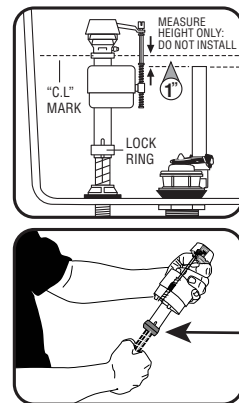
2 Preparing the Fill Valve for Installation**Fill Valve Assembly Parts**

- A) Refill Clip
- B) Refill Tube
- C) Shank Washer
- D) Locknut
- E) Threaded Shank



Place shank washer onto threaded shank of fill valve. **Flat side up.**

Shank Washer
Threaded Shank



Position fill valve in tank, but do not fully install yet. Top of fill valve **MUST** be set 3" above overflow pipe. This will automatically place **CRITICAL LEVEL MARK / C.L. Mark**, 1" above the top of overflow pipe. Remove fill valve from tank to adjust height.

Adjust height of fill valve by holding lower shank with right hand and top of valve with left hand. Twist the lower shank counter clockwise to increase valve height and clockwise to decrease valve height. You should hear several "clicks". Place valve in tank and check height again. **THE CRITICAL LEVEL MARK**, identified by C.L. on valve, **MUST** be positioned 1" above top of overflow pipe. This is a requirement of the **Universal Plumbing Code**.

Do not move lock ring. It holds the valve body and shank together under pressure. Do not interchange body with old shank as leaking can occur.

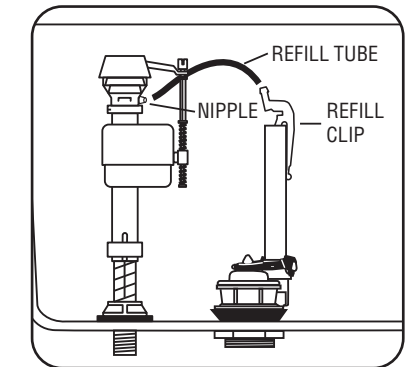
INSTALLATION**3 Installing New Fill Valve**

Place fill valve in tank. Make sure lid will sit on top of tank without touching valve. Align fill valve nipple to face center of tank. Press down on shank from inside tank while tightening locknut.

Hand-tighten only. DO NOT OVER TIGHTEN. Over tightening may crack the fill valve or tank causing flooding. Make sure the float cup does not touch the tank walls or tank lever and flush valve.

Attach one end of refill tube to refill clip. Place clip on right side of overflow pipe. Attach other end of tube to nipple on fill valve with a slight arch (See drawing to the right). Cut tube as necessary.

WARNING: Do not shove refill tube down overflow pipe. This may cause significant water waste.

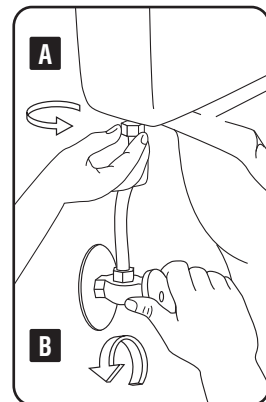
Correct set up of refill tube and refill clip to overflow pipe**4 Attach Water Supply Connector**

Inspect water supply connector. Replace if it is worn or over 5 years old to prevent flooding and property damage.

A. Attach water supply coupling nut to fill valve. Turn coupling nut clockwise by hand until tight.

WARNING: Do not over tighten the nut as it could damage fill valve or coupling nut, resulting in flooding and property damage. Fluidmaster Click Seal® connector is recommended: A perfect seal every time without over tightening.

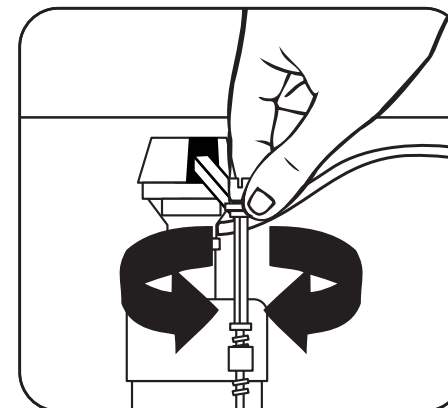
B. Turn on water supply and check for leaks. If you find leaking at bottom of tank, turn nut just enough to stop leaking. Then flush toilet to check.

**5 Adjusting Tank Water Level**

With water turned on, set float cup to desired level, by turning water level adjustment screw. When adjusting float cup, flush tank first. Then make adjustment while tank is filling.

To adjust tank water, turn adjustment screw clockwise to raise water level or counter clockwise to lower water level. Once adjusted, flush toilet and check new level. Repeat if necessary.

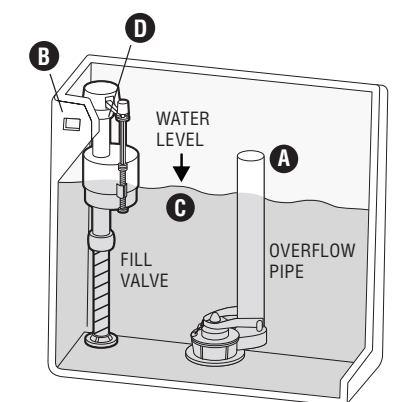
HINT: When you twist adjustment screw 8 times - float moves 1/2".

**6 Code Compliance**

Once fill valve is installed, ensure overflow pipe and water level of tank are correctly set.

- 1. THE TOP OF OVERFLOW PIPE (A)** must be minimum of 1" below **TANK LEVER HOLE (B)**.
- 2. WATER LEVEL (C)** is set below top of Overflow Pipe (Fluidmaster recommends 1/2").
- 3. THE CRITICAL LEVEL MARK / C.L. Mark (D)** identified by C.L. on fill valve must be positioned 1" above top of overflow pipe. This is a requirement of the **Universal Plumbing Code**.

Code Compliance helps protect your home & drinking water supply.

**TROUBLESHOOTING****IF FILL VALVE DOES NOT TURN ON, WILL NOT TURN OFF, OR WILL NOT REFILL THE TANK AFTER THE FLUSH**

- Remove top cap and check for debris. If you find debris, or flow is weak: Inspect lower section of fill valve for partial blockage. Partial blockage may be at shut off valve or in water supply line (See "REMOVING THE VALVE CAP ASSEMBLY & FLUSHING OUT DEBRIS").
- If fill valve has been in use for some time and/or float cup does not drop when flushing tank, replace seal with a genuine Fluidmaster 242 seal (See "IF REPLACING SEAL").

IF FILL VALVE TURNS ON AND OFF BY ITSELF

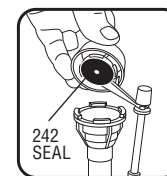
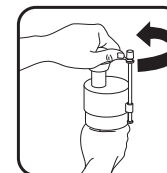
- This indicates the tank is losing water. The fill valve is refilling lost water. Clean flapper and drain seat. If leak continues, change flapper or flush valve. Install Fluidmaster 502, 507AKR, 540AKR or 555C kit.

IF WATER LEVEL IN BOWL IS TOO LOW

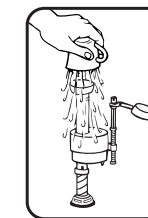
- Make sure the refill tube is supplying water down overflow pipe.
- Water level in tank may be too low. Raise water level to 1/2" below top of overflow pipe (See "ADJUSTING TANK WATER LEVEL"). You may have to lengthen the fill valve in order to increase the water level in tank (See "PREPARING THE FILL VALVE FOR INSTALLATION").
- Flapper may be closing too soon. Give flapper chain approximately 1/2" of slack.

Removing Valve Cap Assembly, Flushing Out Debris, Replacing Seal, & Replacing Valve Cap Assembly**Removing Valve Cap Assembly**

Turn off water supply & flush out tank. Push float up with right hand (see picture). Grip and hold shaft under float with right hand. With left hand, twist cap and lever counter clockwise 1/8th of a turn to unlock the top cap. Pressing down on top may be helpful with older valves. Let cap assembly hang on float cup.

**Flushing Out Debris**

Hold cup upside down over uncapped valve to prevent splashing. Turn water supply on and off a few times. Turn water supply off when putting cap back on valve.

**If Replacing Seal**

If Replacing Seal:
Use only a genuine Fluidmaster 242 seal.

Replacing Valve Cap

- A.** Place cap assembly on top of gray valve body by aligning cap arm and adjustment rod next to refill tube.
- B.** Press down on top cap while rotating top & arm clockwise to locked position.

